



Brazn™ Capsule

Undermount bathroom sink
K-21057

Features

- No faucet holes; requires wall- or counter-mount faucet.
- With overflow.
- Elongated oval basin.

Material

- Vitreous china.

Installation

- Undermount.



ADA **CSA B651** **OBC**

Codes/Standards

ASME A112.19.2/CSA B45.1
ADA
ICC/ANSI A117.1
CSA B651
OBC

KOHLER® One-Year Limited Warranty

See website for detailed warranty information.

Available Colors/Finishes

Color tiles intended for reference only.

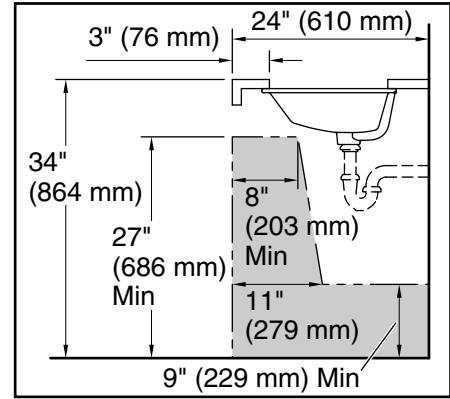
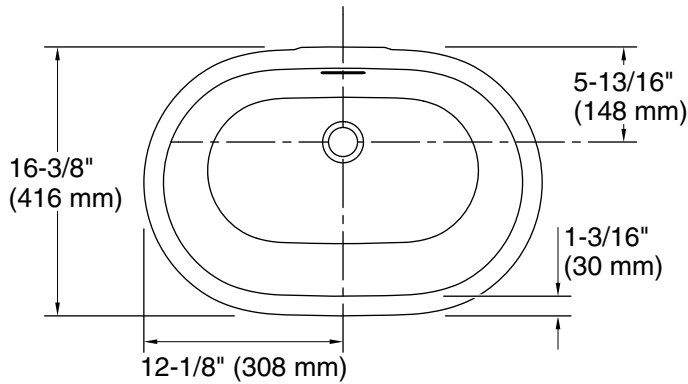
Color	Code	Description
-------	------	-------------

0		
---	--	--

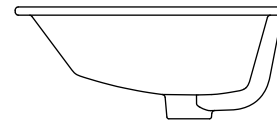
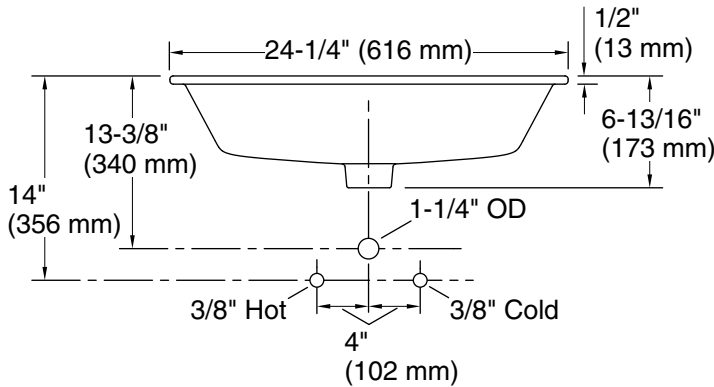


Brazn™ Capsule

Undermount bathroom sink
K-21057



Recommended ADA Installation



Technical Information

All product dimensions are nominal.

Installation: Undermount

Drain hole: 1-3/4" (45 mm)

Notes

Install this product according to the installation instructions.

ADA, OBC, CSA B651 compliant when installed to the specific requirements of these regulations.